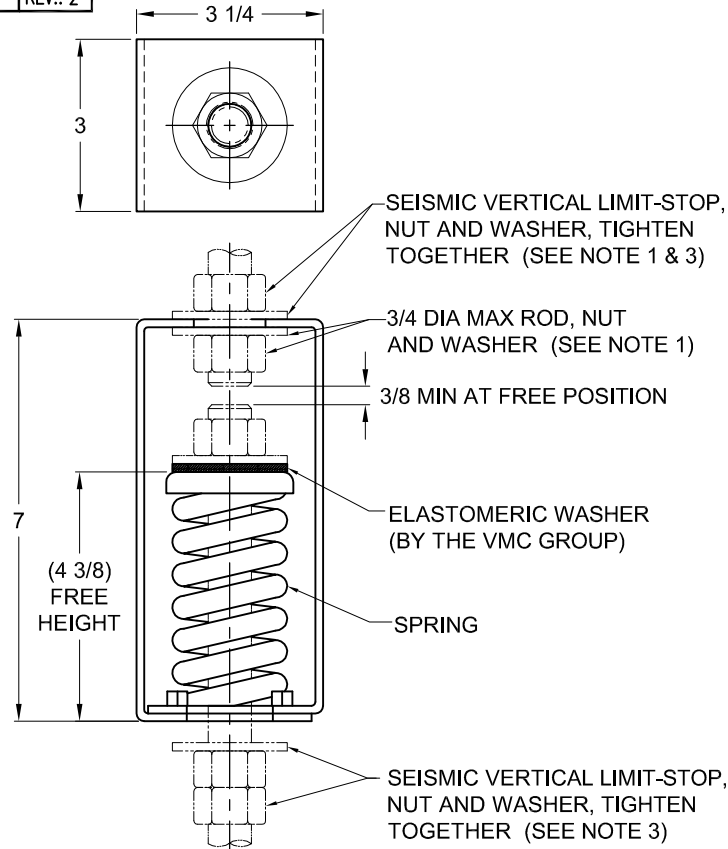


135R-103819 REV.: 2

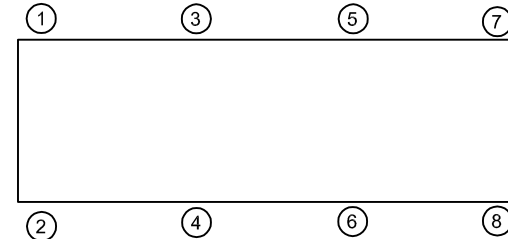
| REV. | DESCRIPTION | DATE | BY |
|------|-------------|------|----|
|      |             |      |    |



| TYPE HS-1D PRE-COMPRESSED SPRING HANGERS FOR 1" NOMINAL DEFLECTION |                  |                 |                      |                   |
|--|------------------|-----------------|----------------------|-------------------|
| HANGER   | RATED LOAD (LBS) | DEFLECTION (IN) | SPRING RATE (LBS/IN) | SPRING COLOR CODE |
| HS-1D-85PR   | 85               | 1.35            | 63                   | LT PURPLE         |
| HS-1D-120PR  | 120              | 1.20            | 100                  | DK YELLOW         |
| HS-1D-175PR  | 175              | 1.17            | 150                  | DK BLUE           |
| HS-1D-250PR  | 250              | 1.40            | 179                  | YELLOW            |
| HS-1D-340PR  | 340              | 1.13            | 300                  | RED               |
| HS-1D-510PR  | 510              | 1.02            | 500                  | BLACK             |
| HS-1D-675PR  | 675              | 1.32            | 513                  | DK PURPLE         |
| HS-1D-900PR  | 900              | 1.02            | 881                  | DK GREEN          |
| HS-1D-1200PR   | 1200             | 0.90            | 1327                 | GRAY              |
| HS-1D-1360PR   | 1360             | 0.77            | 1758                 | WHITE             |

**NOTES:**

- HANGER RODS, NUTS AND WASHERS, AS SHOWN, NOT BY THE VMC GROUP. INSTALL WASHER .148 THK. MIN. X 2 O.D. MIN WITH REQUIRED INSIDE DIAMETER TO ACCOMMODATE ROD SIZE IN USE. THIS CAN BE ACCOMPLISHED BY USING A SINGLE WASHER OR BY STACKING NOT MORE THAN TWO WASHERS.
- STANDARD FINISH: HANGER BOX - PAINTED, POWDER COATED OR GALVANIZED STEEL, SPRING - POWDER COAT.
- SEISMIC VERTICAL LIMIT-STOP REQUIRED FOR SEISMIC APPLICATIONS.
- ALL DIMENSIONS IN INCHES. INTERPRET PER ANSI Y14.
- ALL DIMENSIONS ARE FOR REFERENCE, DIMENSIONS SHOWN AS NOMINAL.
- ALL SPRINGS ARE DESIGNED WITH MINIMUM 50% OVER-TRAVEL.
- HANGER BOXES ARE AVAILABLE PRE-COMPRESSED UP TO THEIR DESIGNATED MAX. LOAD. PERCENTAGE OF PRE-COMPRESSION TO BE DETERMINED BY ENGINEERED APPLICATION OR AS REQUESTED BY CUSTOMER. CONSULT FACTORY FOR POSSIBLE ADDITIONAL PARAMETERS AND OR LIMITATIONS.
- DOUBLE LOWER NUT PROVIDED.
- ROD EXTENSION BELOW LOWER NUT EXTENDS (1.5XROD DIA.) AS SHIPPED.
- PRE-COMPRESSED 50% OF SPRING RATED DEFLECTION.
- RATED DEFLECTIONS ARE WITHIN 25% OF NOMINAL. HIGHER DEFLECTIONS ARE ALLOWED IF THEY MEET SPECIFICATIONS.



**ISOLATOR SELECTIONS**

|                      |        |
|----------------------|--------|
| LOC 1:               | LOC 2: |
| LOC 3:               | LOC 4: |
| LOC 5:               | LOC 6: |
| LOC 7:               | LOC 8: |
| CUSTOMER EQP'T. TAG: |        |

NOTE: MATERIAL SHOWN IS FOR (1) SET.

OTHER MATERIALS, COMPOUNDS, OR FINISHES WITH EQUAL OR SUPERIOR PROPERTIES MAY BE SUBSTITUTED AS THEY BECOME AVAILABLE.

**CERTIFIED FOR:**

JOB NAME: \_\_\_\_\_  
 CUSTOMER : \_\_\_\_\_  
 CUSTOMER P.O.: \_\_\_\_\_  
 SALES ORDER: \_\_\_\_\_

**MODEL HS-1D 85-1360 LBS.  
 PRE-COMPRESSED SPRING HANGERS  
 1 INCH DEFLECTION**



**THE VMC GROUP**  
*The Power of Together*  
 Bloomingdale, NJ 07403  
 Houston, TX 77041

SCALE :

NONE

SHEET:



DRAWING NO.:

REVISION